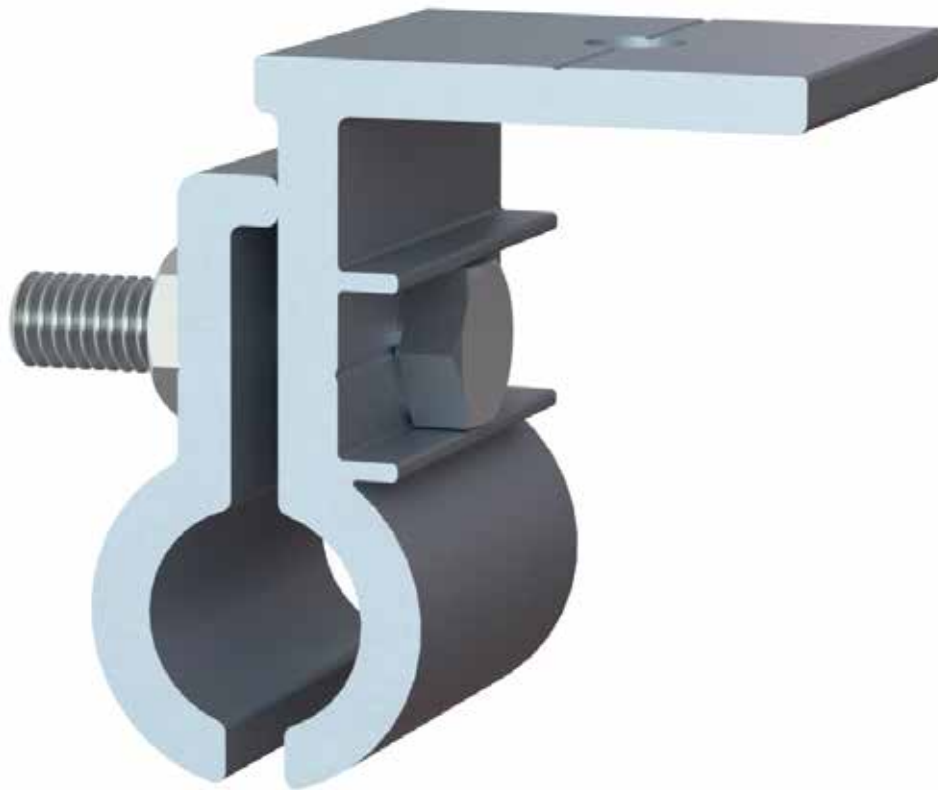




STANDING **SEAM ROUND**



R3 Bourton Industrial Park, Bourton on the Water, Glos, GL54 2HQ, UK

Tel: +44 1451 824 312

Email: info@sunfixings.co.uk

WWW.SUNFIXINGS.CO.UK

V042017

2

Fitting the Standing Seam Clamp

Tools & Items Required



Layout



13mm Socket Wrench



Standing Seam Round Clamp

Use the layout to confirm the position of the Standing Seam Round Clamps.



DO NOT over tighten (stop before the seam starts to deform)
DO NOT under tighten (the clamp shouldn't move on the seam)

