



# PARK TEGRA **SINGLE STRUCTURE**



R3 Bourton Industrial Park, Bourton on the Water, Glos, GL54 2HQ, UK

**Tel: +44 1451 824 312**

**Email: [info@sunfixings.co.uk](mailto:info@sunfixings.co.uk)**

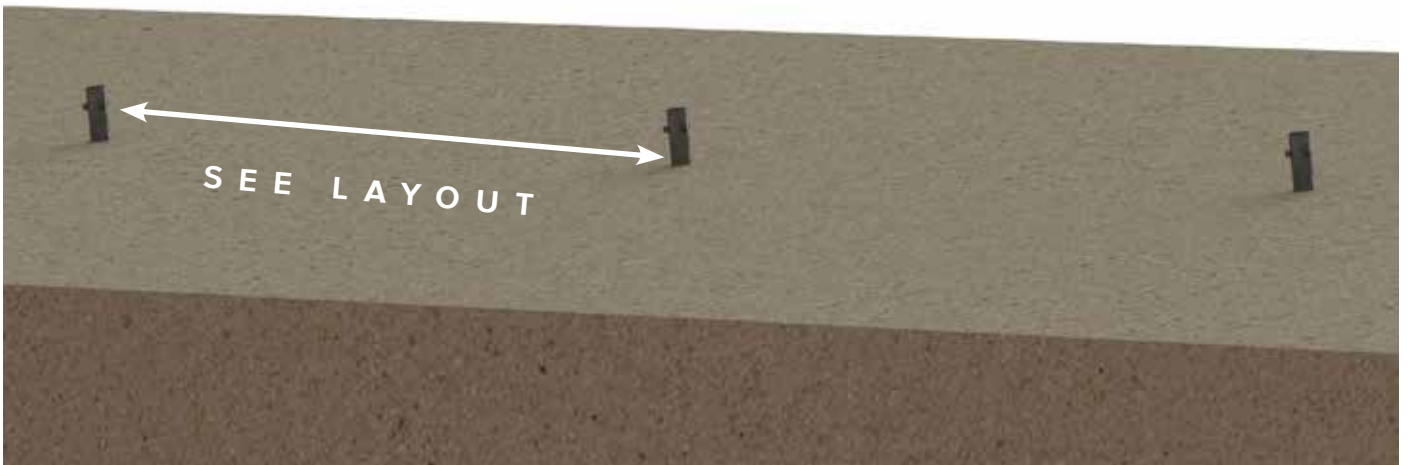
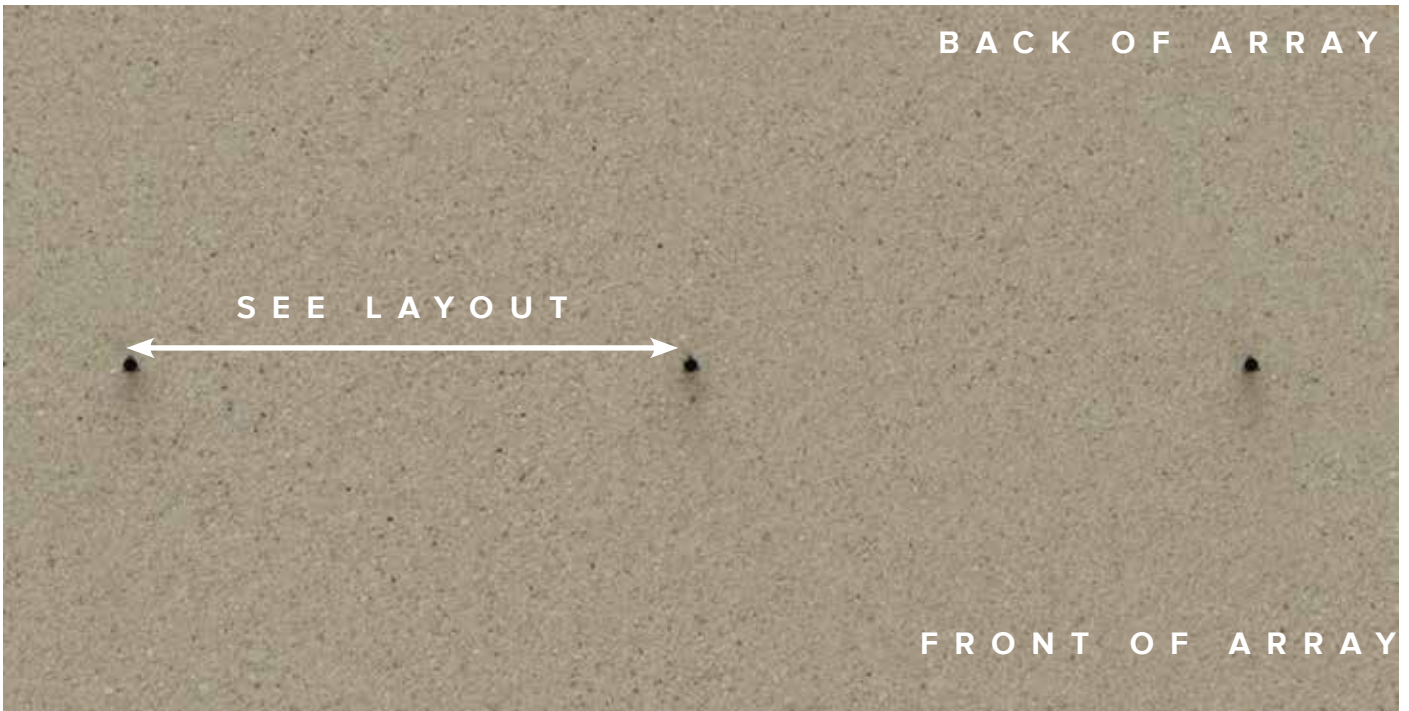
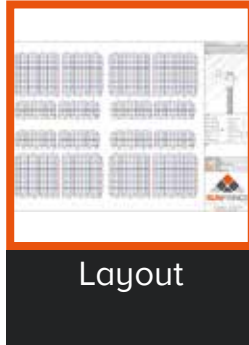
**[WWW.SUNFIXINGS.CO.UK](http://WWW.SUNFIXINGS.CO.UK)**

V092017

# 2

## Use the layout to mark out the Ground Anchor positions

### Tools & Items Required



# 3

## Screw in the Ground Anchors

### Tools & Items Required



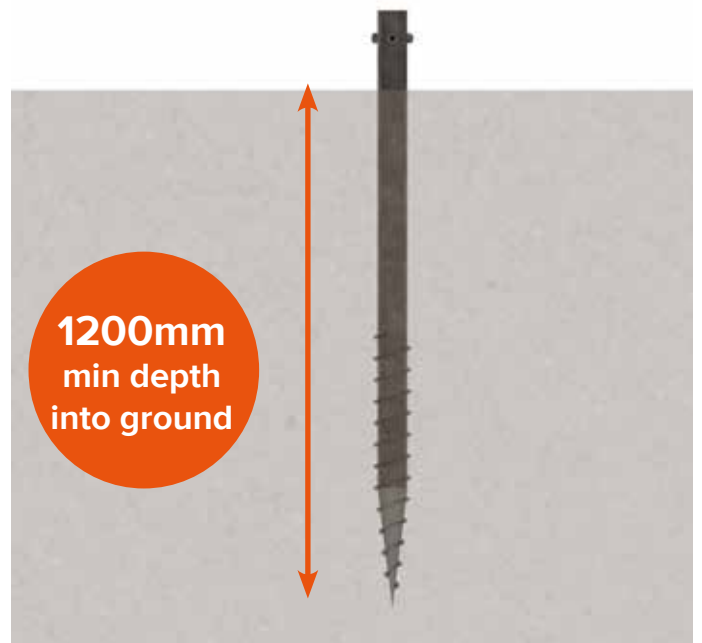
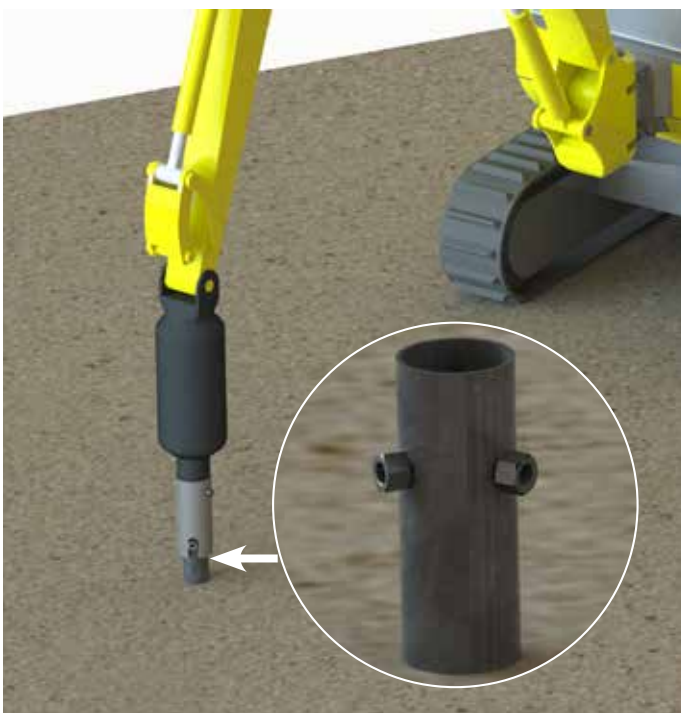
Hydraulic Auger Unit



Auger Adapter



Ground Anchor



# 4

## Attaching the T Adapter

### Tools & Items Required



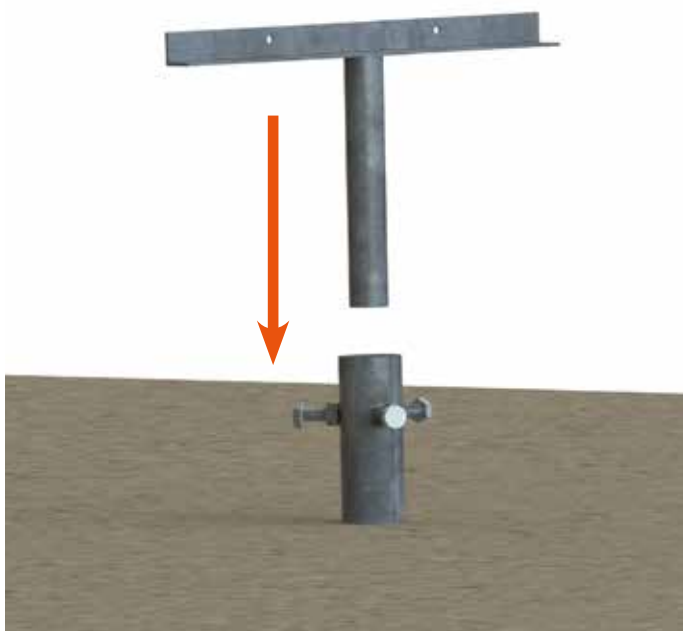
24mm Socket  
Wrench



Ground Anchor



T Adapter



Galvanisation spray is provided for any scratches made into any of the steel items.  
Follow the instructions on the spray.



60Nm

# 5

## Pre-drill the Elevation Frame

### Tools & Items Required



Battery Drill



HSS Drill Bit



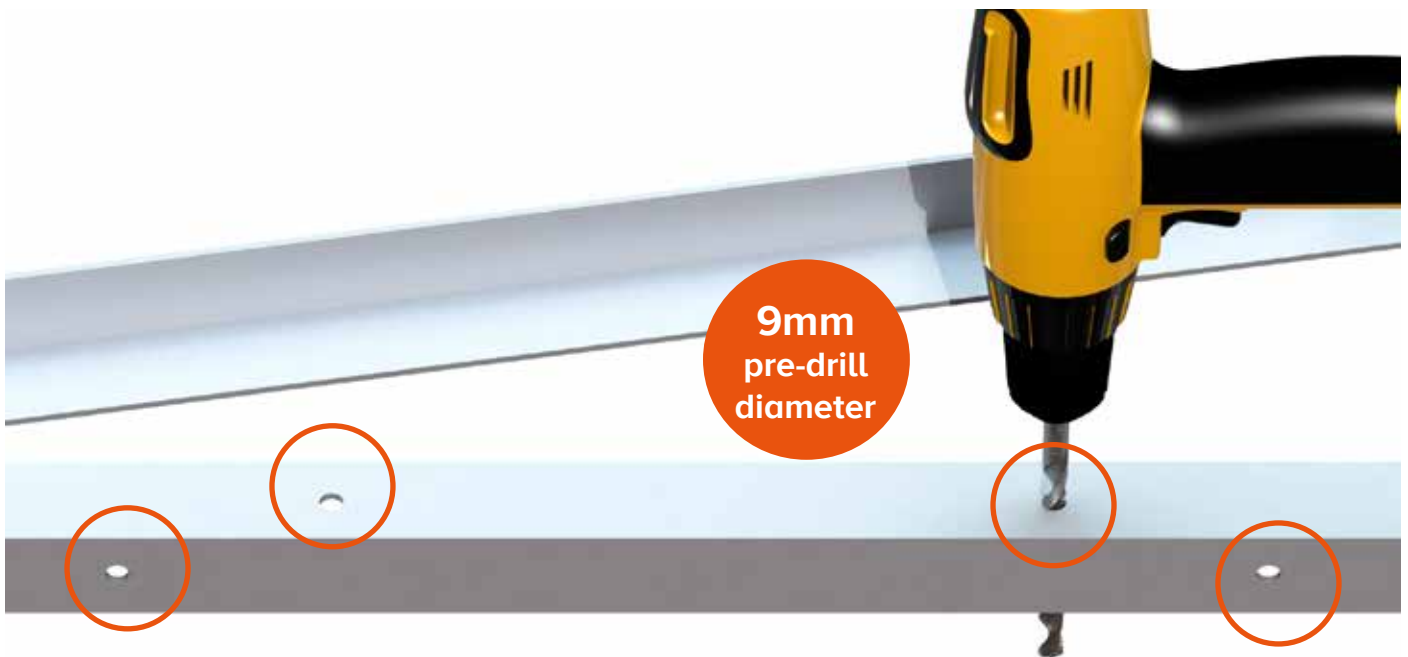
Elevation Frame



T Adapter



Match hole positions to holes in T Adapter.



9mm  
pre-drill  
diameter



# 6

## Apply EPDM to the T Adapter

### Tools & Items Required



Knife



T Adapter



EPDM



# 7

## Tightening the bolts & nuts of the Elevation Frame

### Tools & Items Required



13mm Spanner



6mm Allen Key



Cylinder Head  
Screw



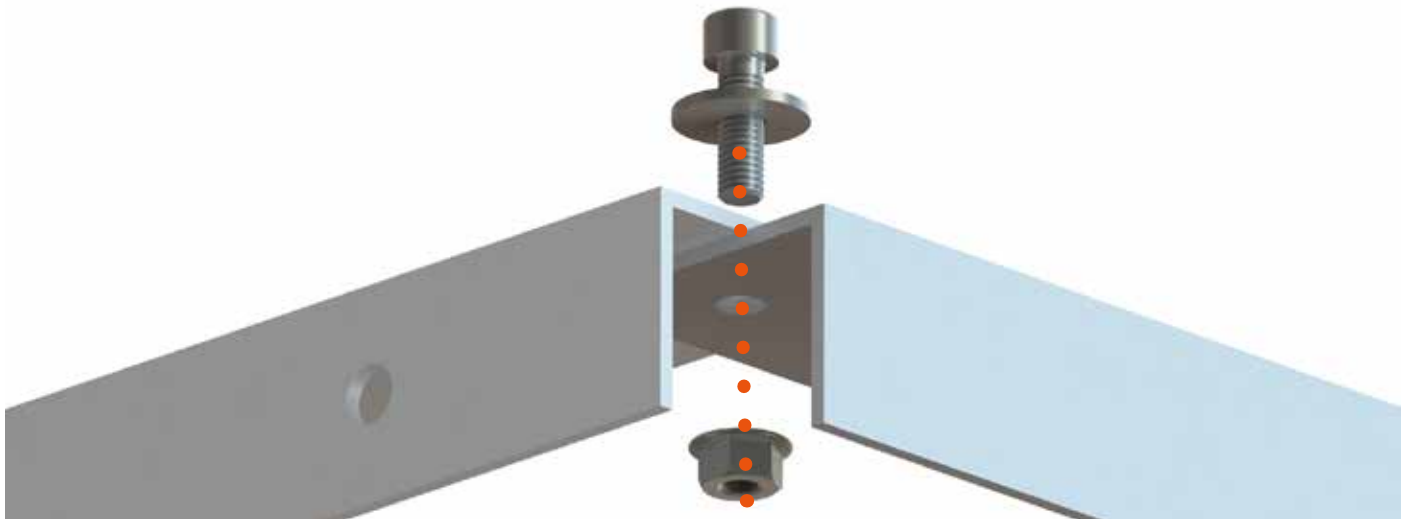
M8 Serrated  
Nut



M8 Washer



Elevation  
Frame



# 8

## Attach the Elevation to the T Adapter

### Tools & Items Required



13mm Spanner



6mm Allen Key



Cylinder Head Screw



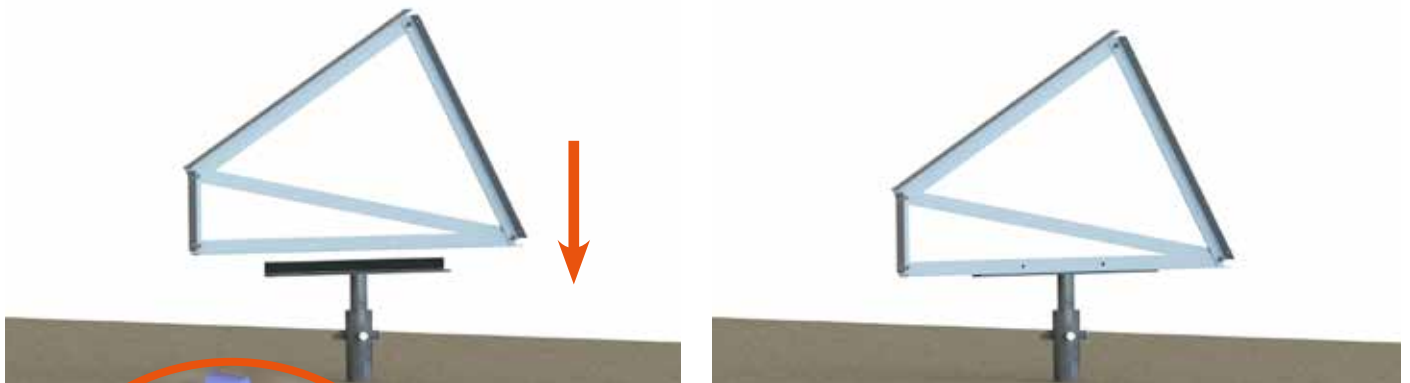
M8 Serrated Nut



M8 Washer



Elevation Frame





# 9

## Attaching the Mounting Rails

### Tools & Items Required



15mm Spanner



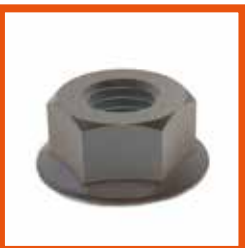
Elevation Frame



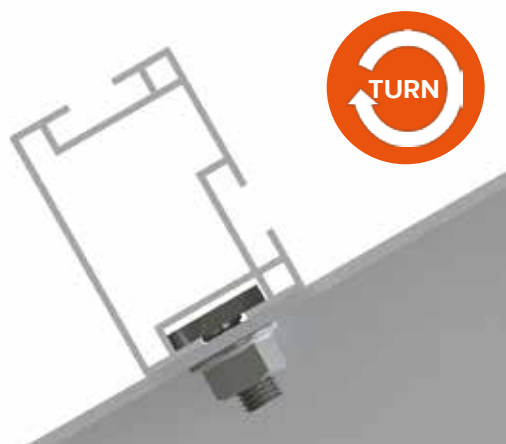
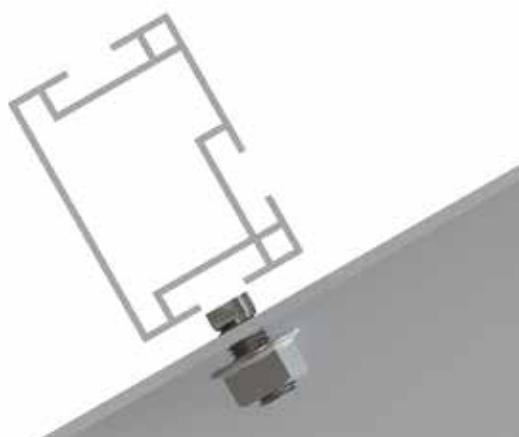
Mounting Rail



M10 T Bolt



M10 Serrated Nut



# 10

## Drilling the Elevation for the Wind Bracing

### Tools & Items Required



Layout



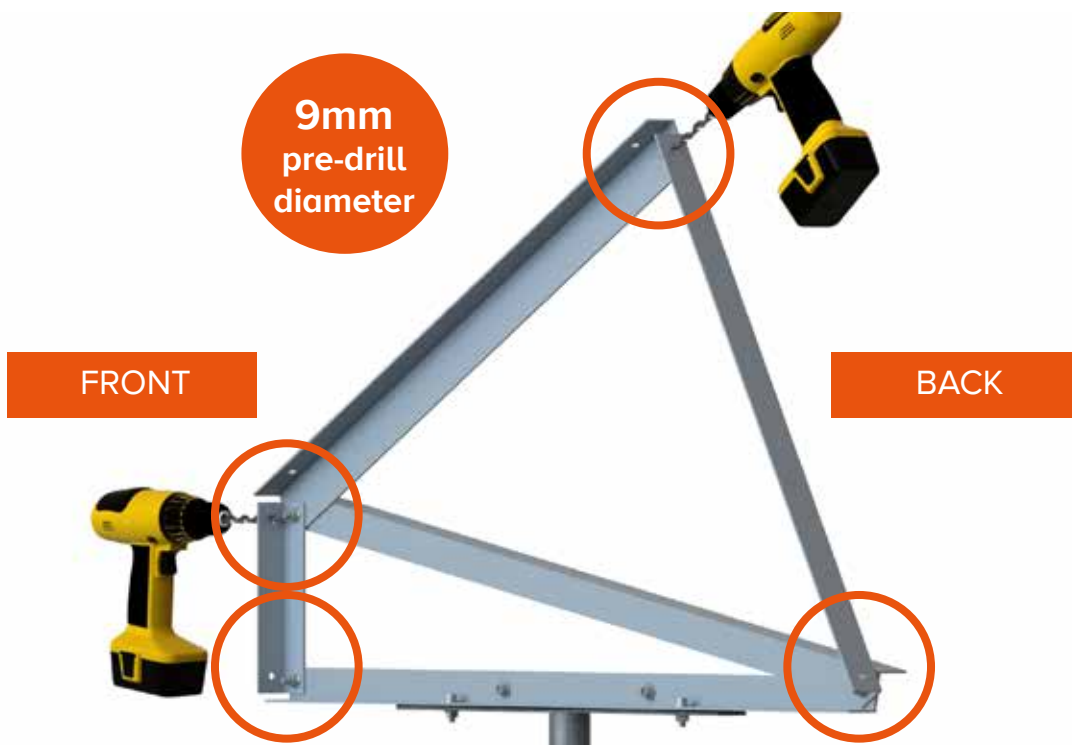
Battery Drill



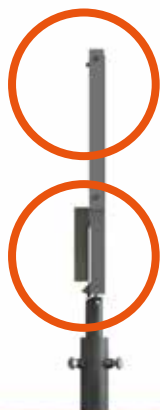
HSS Drill Bit



Elevation Frame

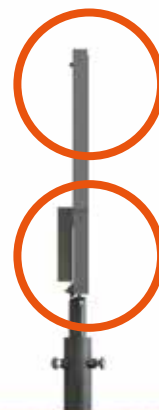


Use the layout for the positions of the Wind Bracing.  
Pre-drill 2x 9mm diameter holes at the front and at the back of the Elevation Frames.



The Wind Bracing Set includes:

- 1x Flat Piece
- 1x L Piece
- 5x Cylinder Head Screws
- 5x M8 Serrated Nuts



# 11

## Fitting the Wind Bracing

### Tools & Items Required



8mm Allen Key



13mm Spanner



Cylinder Head Screw



M8 Serrated Nut



M8 Washer

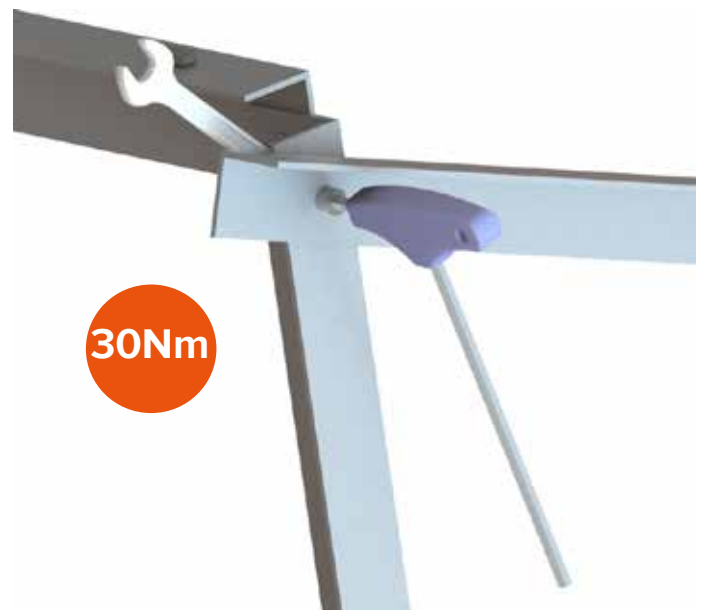
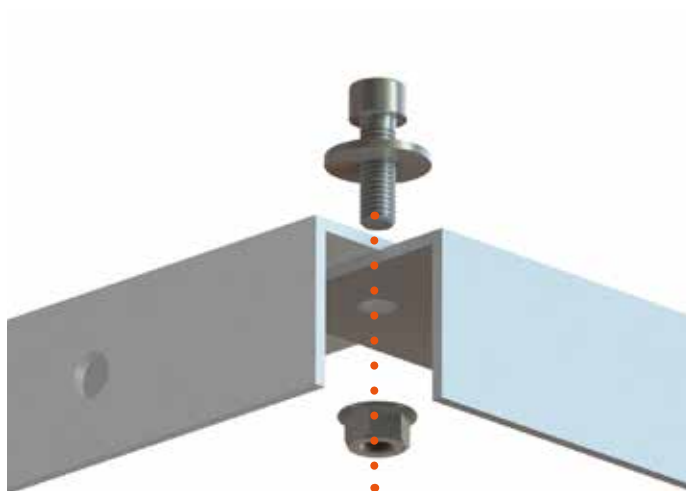
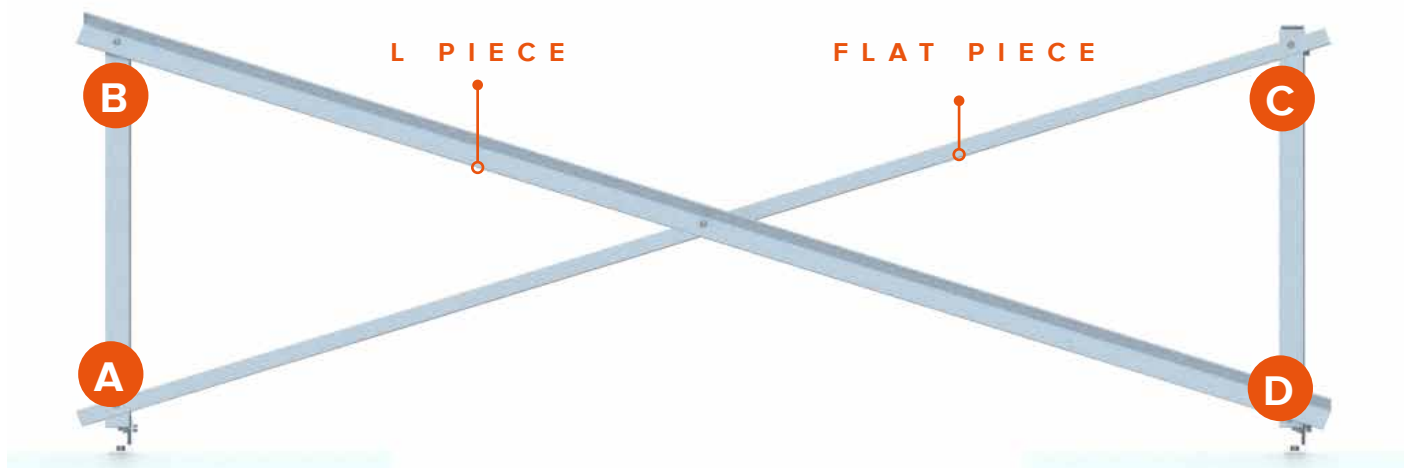


Wind Bracing

Place the Flat Piece so that it sits over holes A & C. Fix using Cylinder Head Screw, M8 Washer and M8 Serrated Nut.

Place the L Piece over the top of the Flat Piece, so it sits over holes B & D. Fix using Cylinder Head Screw, M8 Washer and M8 Serrated Nut.

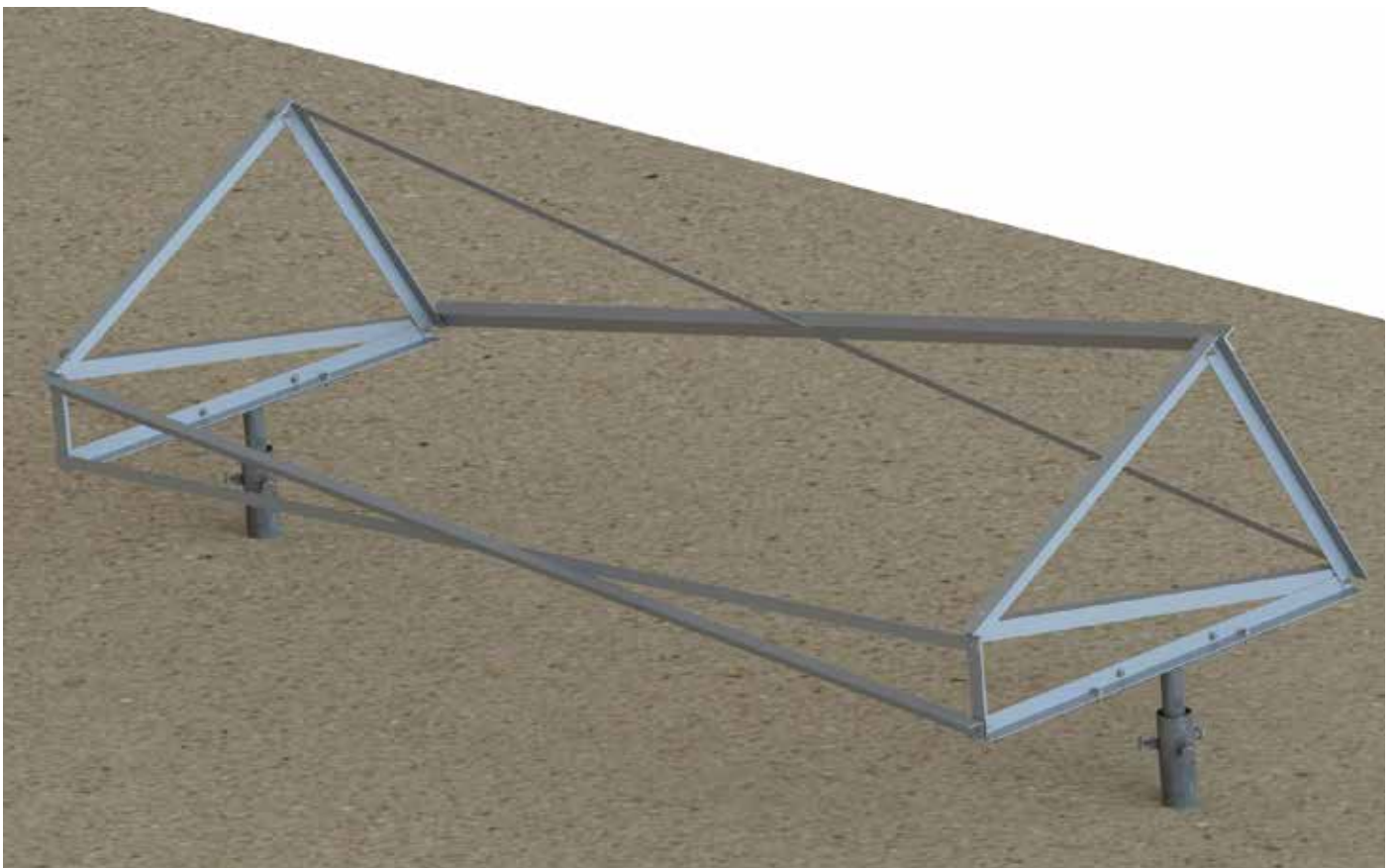
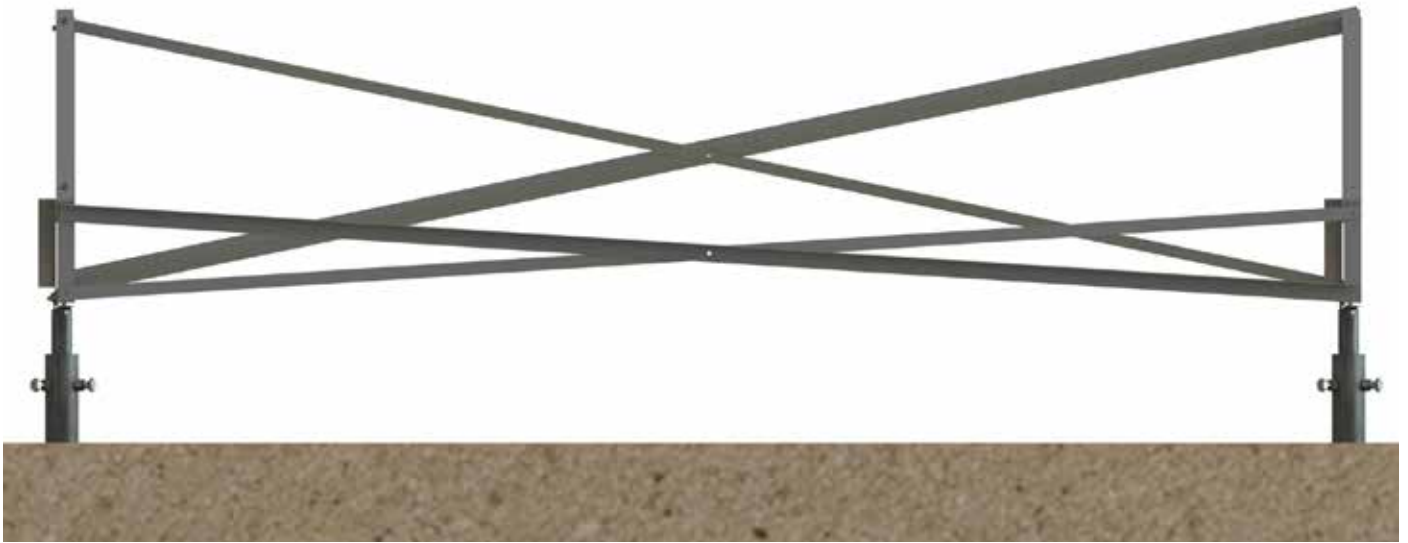
Fix the centre with a Cylinder Head Screw, M8 Washer and M8 Serrated Nut.



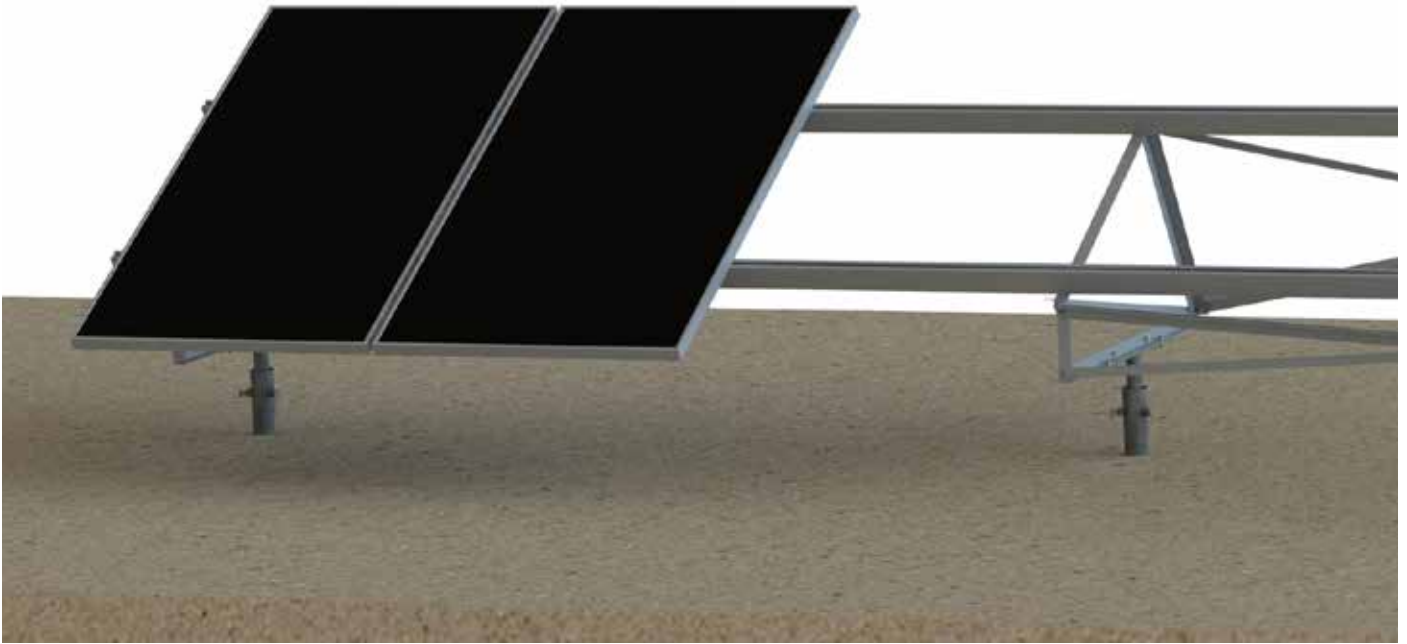
# 12

## Fitting the Wind Bracing

Repeat step 11 for the back and the front of the Elevation Frames.



Portrait Orientation



Landscape Orientation

