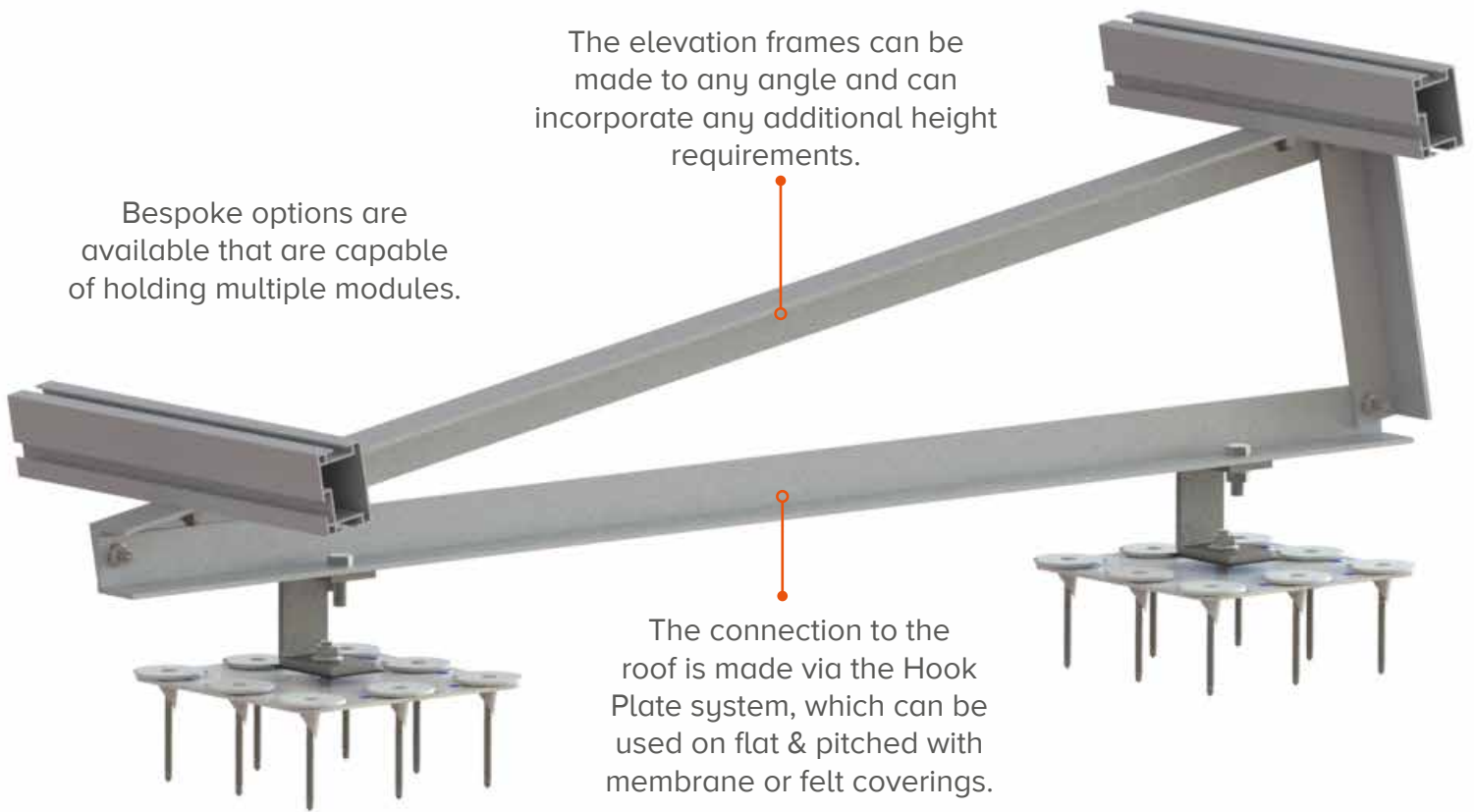




ELEVATION FIXED **HOOK PLATE**

The elevation frames can be made to any angle and can incorporate any additional height requirements.

Bespoke options are available that are capable of holding multiple modules.



The connection to the roof is made via the Hook Plate system, which can be used on flat & pitched with membrane or felt coverings.

2.93kg/m²
Weight

Portrait & landscape
Module orientation

1°-60°
Suitable roof pitch

Aluminium, stainless & galvanised steel
Material

+44 (0) 1451 824 312
info@sunfixings.co.uk
R3 Bourton Industrial Park, Bourton on the Water, Cheltenham, Glos, GL54 2HQ, UK

WWW.SUNFIXINGS.CO.UK
V042018

