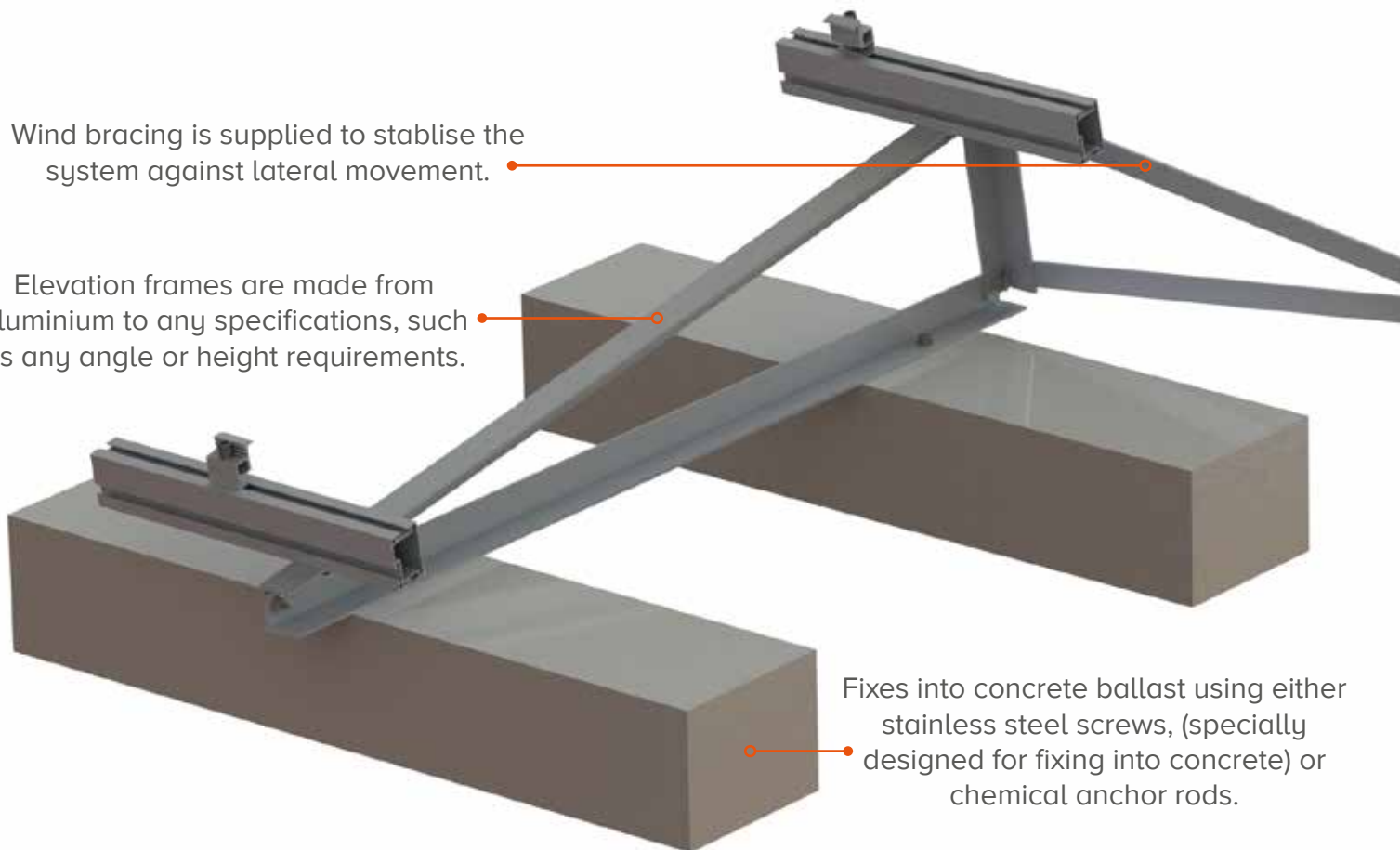




ELEVATION BALLAST

Wind bracing is supplied to stabilise the system against lateral movement.

Elevation frames are made from aluminium to any specifications, such as any angle or height requirements.



Fixes into concrete ballast using either stainless steel screws, (specially designed for fixing into concrete) or chemical anchor rods.

2.93kg/m²
Weight (exc. ballast)

Membrane, PVC, bitumen & concrete
Suitable roof coverings

1°-5°
Suitable roof pitch

Aluminium & stainless steel
Material